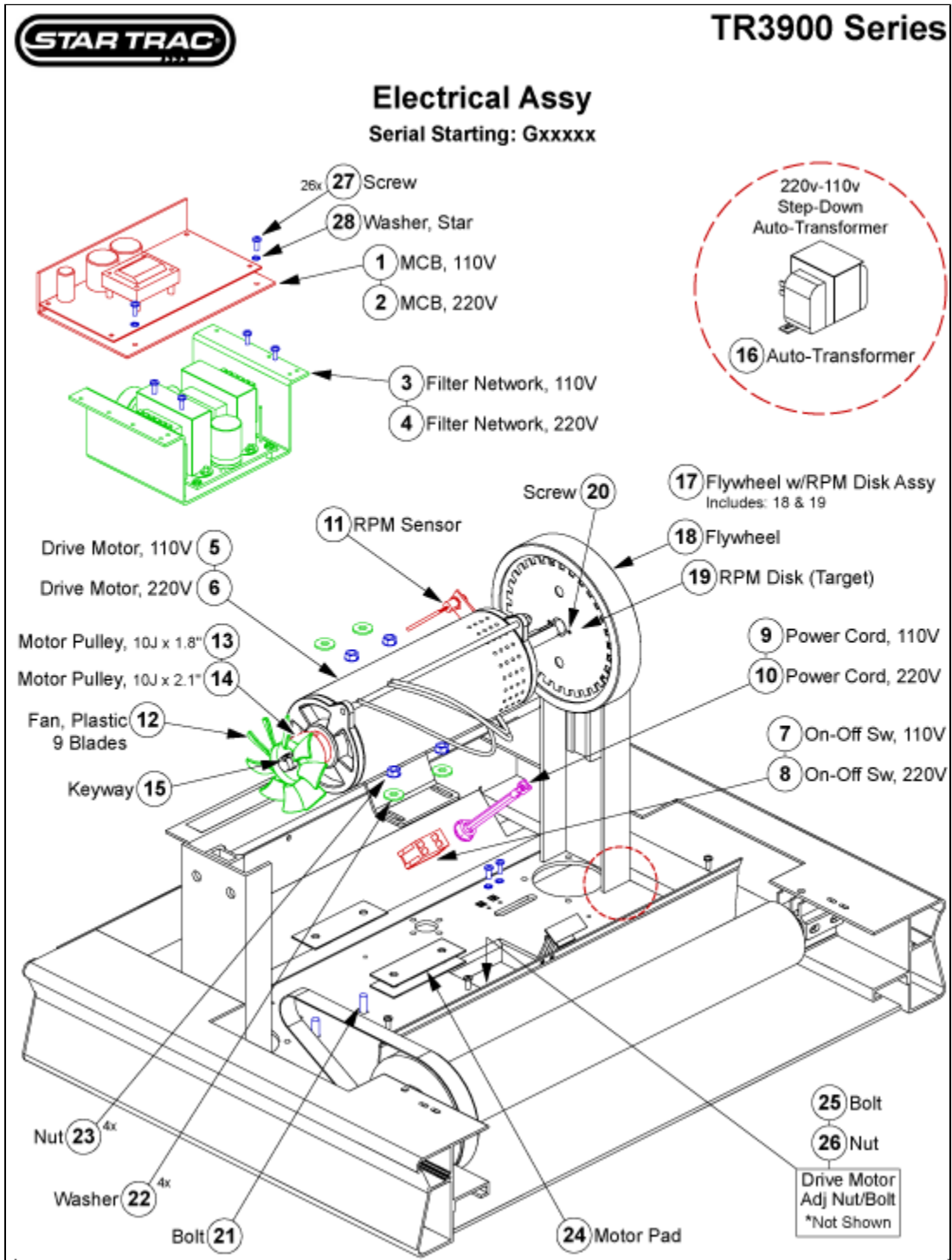


Product ID: 2 • Diagram ID: 208

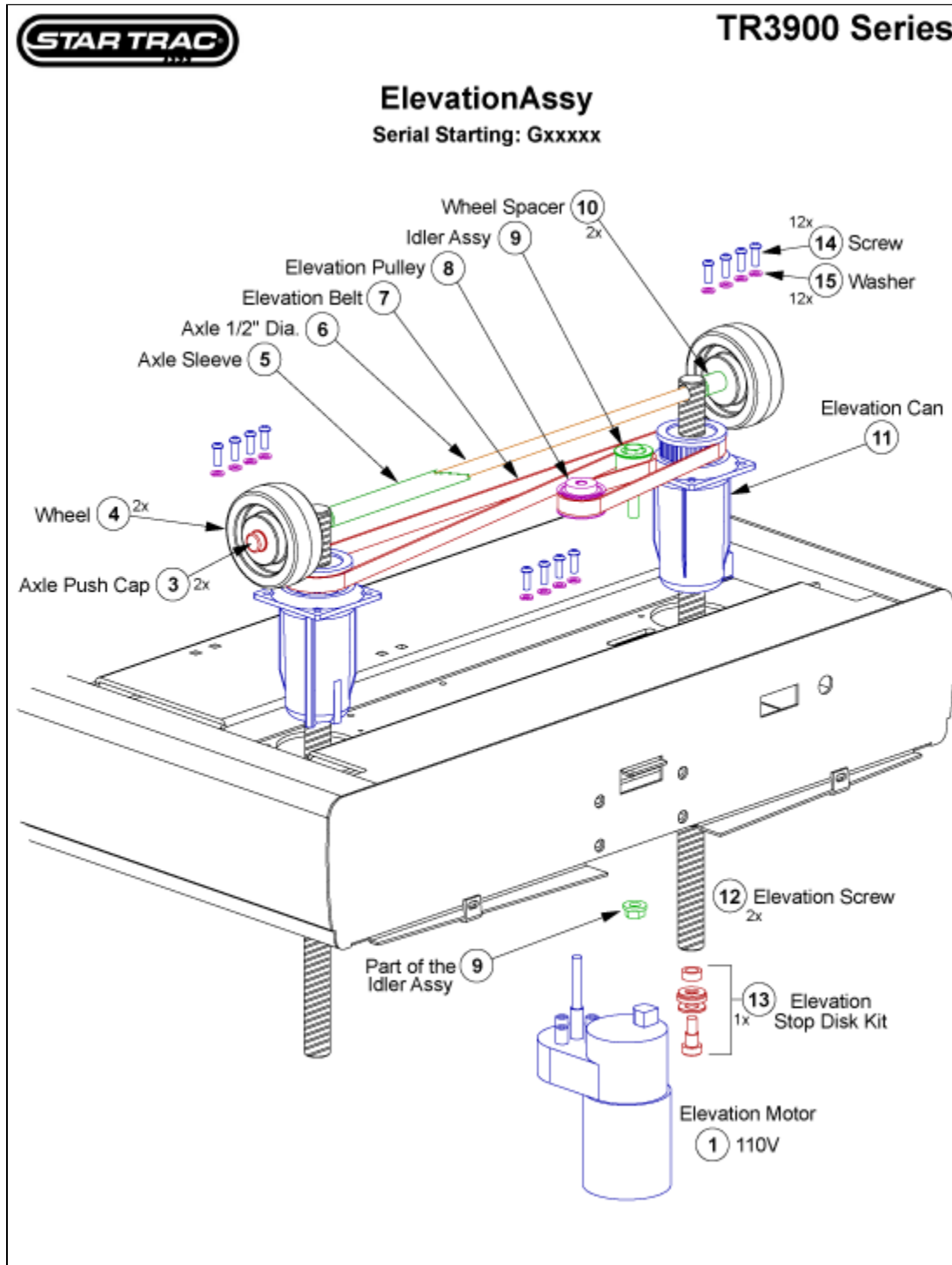
Display Assy

Callout	Part Number:	Description
1	705-1635	Disp Elec, Pcb, 3900/3500
2	050-1705	Keypad Overlay, 3900/3500
3	020-4496	Lens, (3x 8"), 3900/3500
4	020-4492	Disp Hsg, Plastic Panel Only
5	120-3004	Standoff, 6-32x3/8" M-f
6	110-0130	Screw, 6-32x1/4"
7	120-3002	Washer, #6 Nylon
8	705-1635	Disp Elec, Pcb, 3900/3500



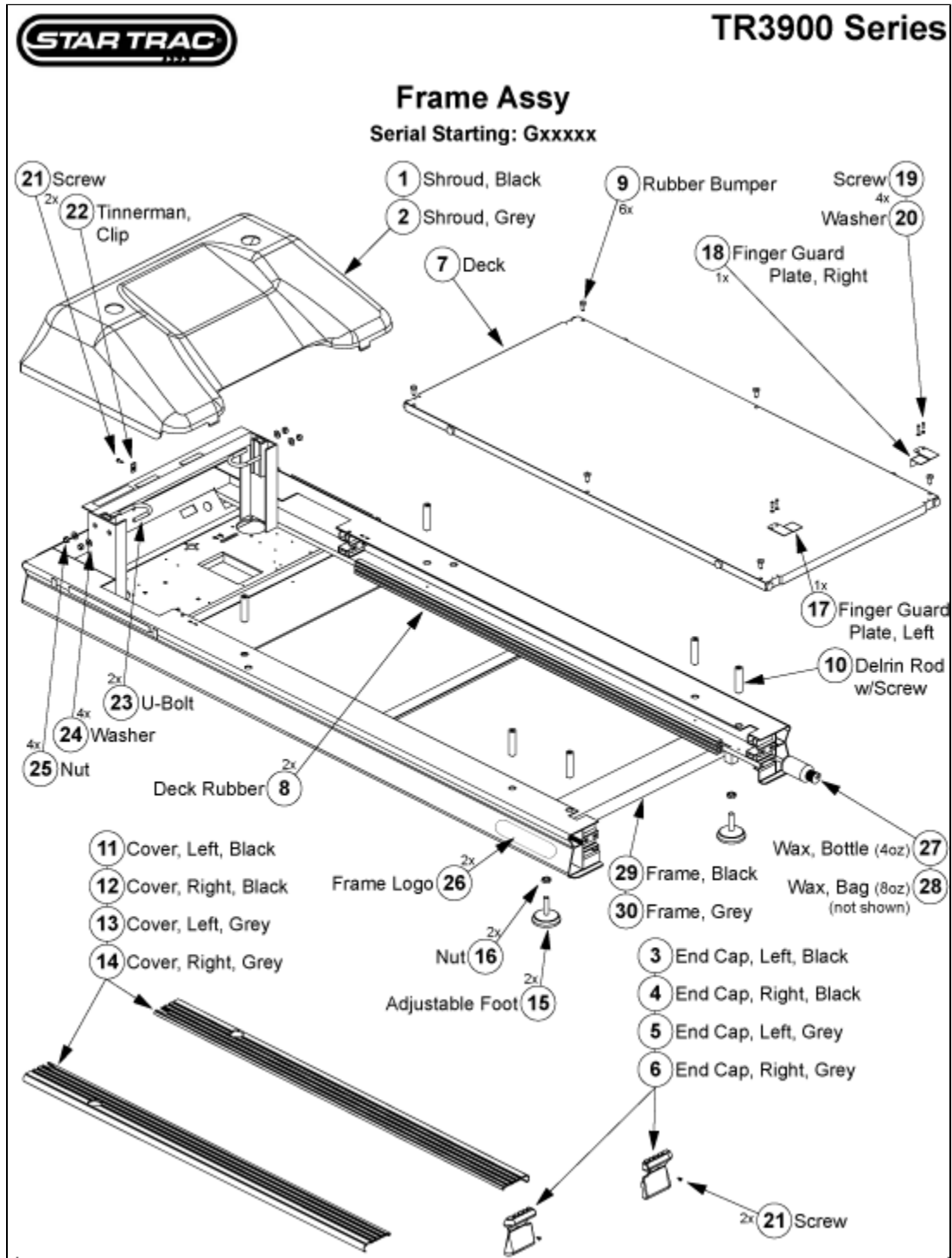
Electrical Assy

Callout	Part Number:	Description
1	715-3571	Mcb, 110v, w/Jumpers
2	715-3572	Mcb, 220v, w/Jumpers
3	800-3259	Filter Network, 110v
4	715-3467	Filter Network, 220v
5	260-0904	Motor, Drive, 110v 2.5hp mag
6	260-0905	Motor, Drive, 220v 2.5hp mag
7	470-0190	Switch, Pwr, On/off Brkr, 110v 18a
8	470-0180	Switch, Pwr, On/off Brkr, 220v 18a
9	800-3245	Power Cord, 110v, nema 5-20
10	800-3229	Power Cord, 220v, nema 6-15
11	800-3260	Rpm Sensor, w/Bracket
12	140-3111	Fan, Motor 9 Blades
13	130-7009	Pulley, Drive, 10J, 1.8"od
14	130-1628	Pulley, Drive, 10J, 2.1"od
15	110-1442	Keyway, 3/16x1.5" Steppers
16	440-0095	Xfmr, 220v, Elev Step-Down
18	020-0681	Flywheel, 8" x 5/8" id
19	020-0493	Rpm Disk Target, 31 Slots
21	110-1516	Bolt, 5/16-18x1.0" Carriage
22	120-0480	Washer, 5/16" Cut
23	110-1870	Nut, 5/16-18
24	140-0020	Pad, Motor, 1/16"
25	110-1510	Bolt, 5/16-18x1.75"
26	110-1870	Nut, 5/16-18
27	110-3026	Screw, 10-24x3/4" Phtcs



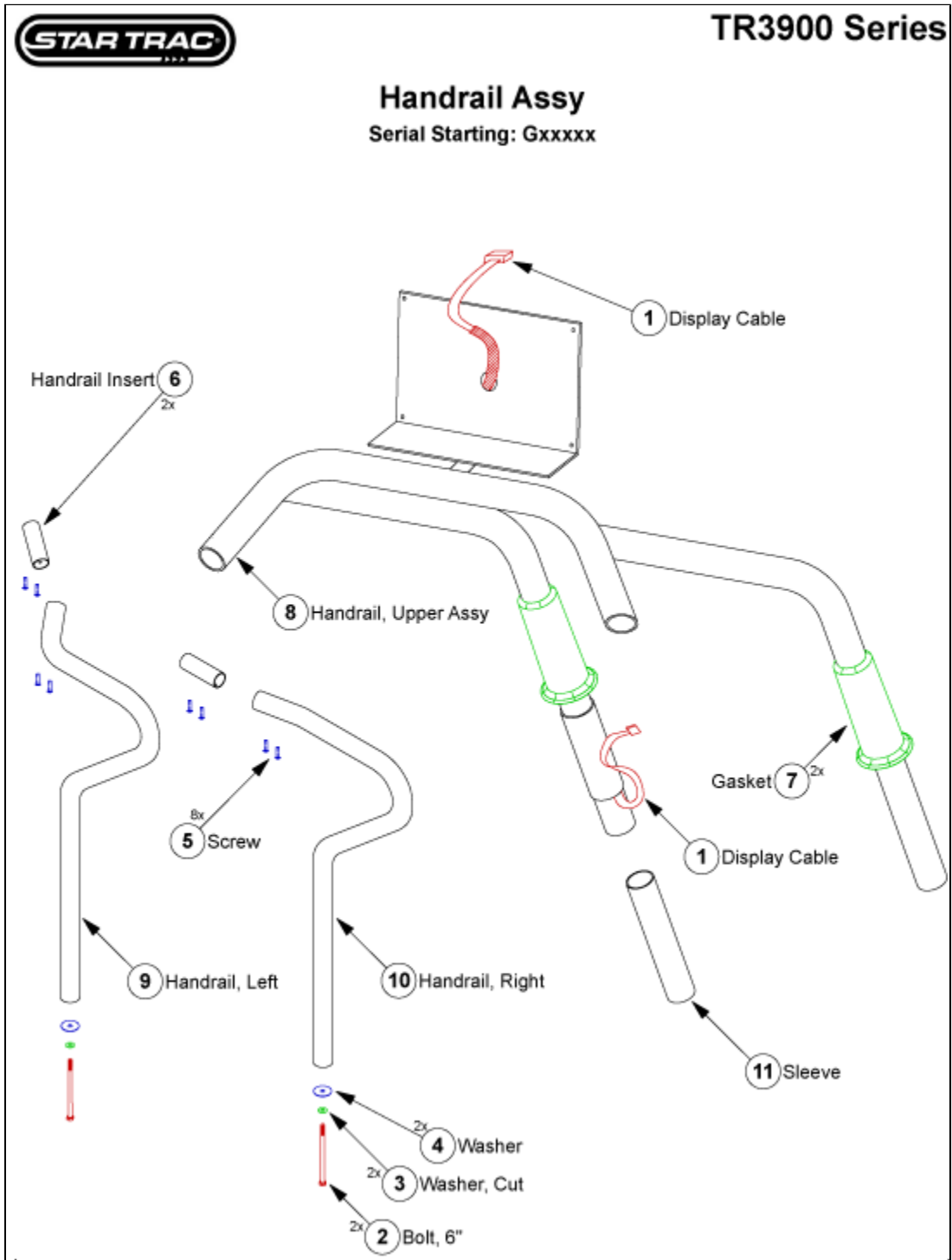
Elevation Assy

Callout	Part Number:	Description
1	260-0235	Motor, Elev, 110vac
3	110-1415	Axle Push Cap, 1/2"
4	130-1694	Wheel, 4x1.5x1/2" bore
5	020-6266	Sleeve, Elev Axle
6	715-3430	Elev Axle, 1/2" dia
7	130-0050	Belt, Elev, 1595-5M15
8	130-0250	Pulley, Elev Mtr, 2/3/15/1000
9	800-0225	Elev, Idler Pulley Assy
10	020-6268	Spacer, Elevation
11	708-0151	Elev Can
12	715-0110	Elev Screw, Drilled
13	800-3267-001	Elev Stop Disk, Retro Kit, Rbr
14	110-3119	Screw, 1/4-20x3/4" Bhcs,loctite
15	120-0420	Washer, 1/4" Lock



Frame Assy

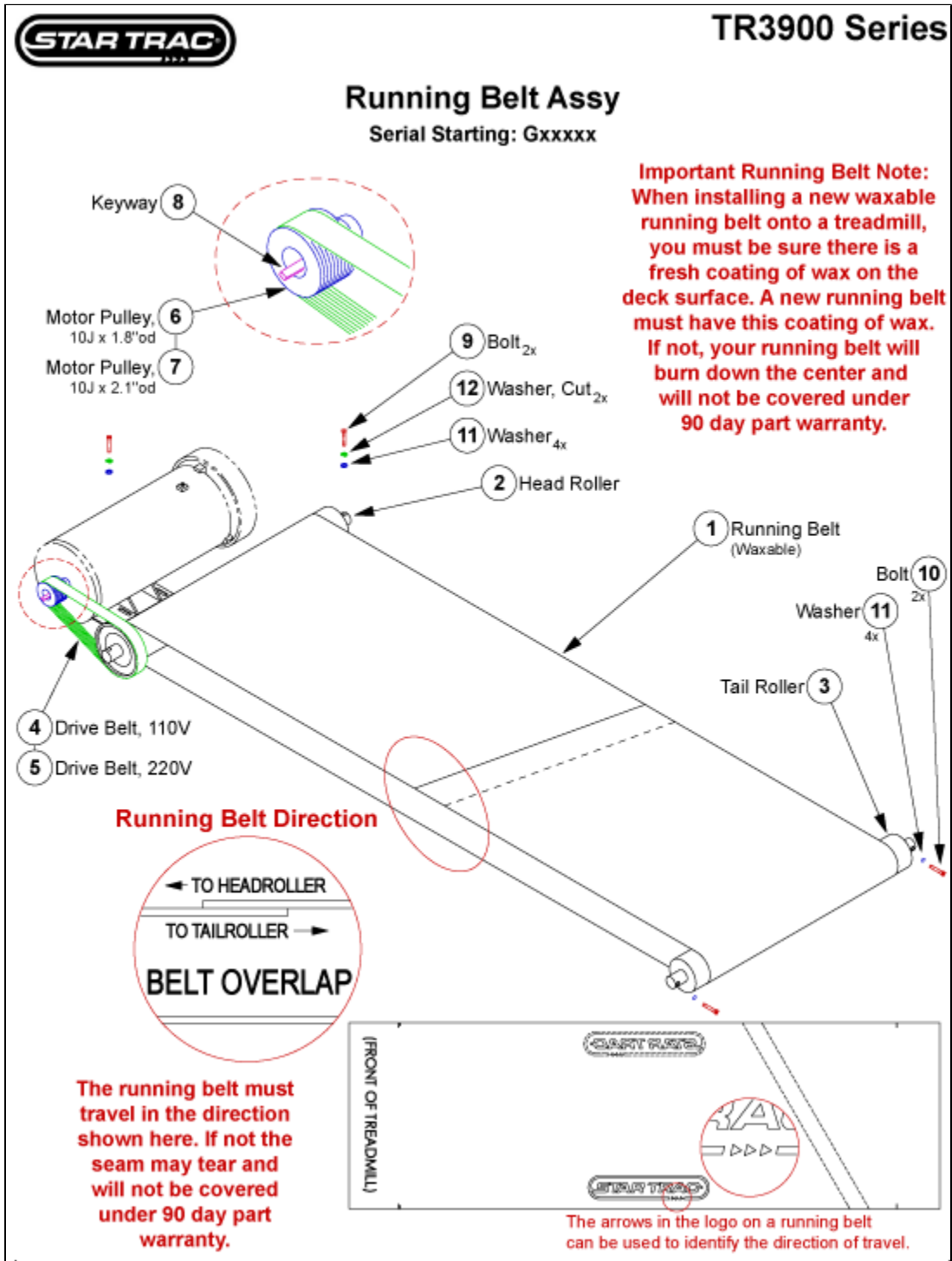
Callout	Part Number:	Description
1	020-4497	Shroud, Motor, 4/45/39/4200
2	020-4500	Shroud, Motor, gry, 4/45/39/42
3	020-4452	Endcap, Lt, 4/45/39/4200
4	020-4453	Endcap, Rt, 4/45/39/4200
5	020-4480	Endcap, Lt, gry, 4/45/39/4200
6	020-4481	Endcap, Rt, gry, 4/45/39/4200
7	050-1630	Deck, dbl-sided
8	010-3106	Deck Rubber, 53.5"
9	140-3108	Deck Bumper, Hollow Stem
10	715-3196	Delrin Stop Rod w/screw
11	020-4544	Sidebed Cover Extr, Lt, 4500
12	020-4543	Sidebed Cover Extr, Rt, 4500
13	020-4584	Sidebed Cover Extr, Lt, gry
14	020-4583	Sidebed Cover Extr, Rt, gry
15	140-3200	Adjustable Foot, 1/2-13x3.0"
16	110-1823	Nut, 1/2-13x5/16" Jam
17	020-4454	Finger Guard, Plate, Lt
18	020-4627	Finger Guard, Plate, Rt
19	110-3066	Screw, 6x5/8" Truss Hd Phil
20	120-3002	Washer, #6 Nylon
21	110-0475	Screw, 10-32x1/2" Phcs, Blk Oxd
22	110-1790	Tinnerman Clip, #10 nut
23	110-1000	U-Bolt, 3/8-16
24	120-0460	Washer, 3/8" Lock
25	110-1830	Nut, 3/8-16 Hex, nyloc
26	050-1716	Label, Tr3900 Series
27	140-3180	Wax, Bottle, 4oz (3-4 waxings)
28	800-3146	Wax, Bag, 8oz (6-8 waxings)
29	710-1031	Frame, Painted
30	710-3135	Frame, Finished, Frnt, Tbt



Product ID: 2 • Diagram ID: 212

Handrail Assy

Callout	Part Number:	Description
1	800-0126	Disp Cable (Data)
2	110-0685	Bolt, 5/16-18x6.0" Hex
3	120-0480	Washer, 5/16" Cut
4	120-0491	Washer, 5/16 x 1.5" Flat
5	110-0506	Screw, 1/4-28x3/8" Bhss
6	710-0521	Insert, Hrail
7	140-3127	Gasket, Base Hrail
8	020-4555	Hrail, Front
9	020-4535	Hrail, Short, Lt
10	020-0540	Rpm Disk, Elev
11	800-3916	Rail Kit, Sleeve, Taped



Product ID: 2 • Diagram ID: 213

Running Belt Assy

Callout	Part Number:	Description
1	130-1630	Belt, Running, 20x128.5"
2	708-0061	Roller, Head
3	708-0132	Roller, Tail, 4/45/39/2/3/18+
4	130-0121	Belt, Drive, 280J10, Poly-V
5	130-1629	Belt, Drive, 285J10, Poly-V
6	130-7009	Pulley, Drive, 10J, 1.8"od
7	130-1628	Pulley, Drive, 10J, 2.1"od
8	110-1442	Keyway, 3/16x1.5" Steppers
9	110-3056	Screw, 5/16-18x2.0" Shcs
10	110-0651	Screw, 5/16-18x1.75" Shcs Thr
11	120-0490	Washer, 5/16 x1/2" Flat
12	120-0496	Washer, 5/16" Lock